

LEVER BODY

AISI 316 stainless steel precision casting, mirror polished finish (RA <0.8µm).

CLAMPING ELEMENT

AISI 304 stainless steel.

RETURN SPRING

AISI 301 stainless steel.

STANDARD EXECUTIONS

H-NBR synthetic rubber packing ring, hardness 85 +/-5 Shore A, in blue, FDA compliant, resistant from -25°C to +150°C.

- GN 305-PL-H (d1): threaded hole.
- GN 305-PL-H (d1 - I2): threaded screw.

EPDM synthetic rubber packing ring, hardness 85 +/-5 Shore A, in blue, FDA compliant, resistant from -40°C to +120°C.

- GN 305-PL-E (d1): threaded hole.
- GN 305-PL-E (d1 - I2): threaded screw.

FEATURES AND APPLICATIONS

GN 305 adjustable handles are intended for use in environments where a high level of hygiene is required and are certified according to the DGUV guidelines.

The existing gasket on the locking surface protects the seal against unhygienic cracks.

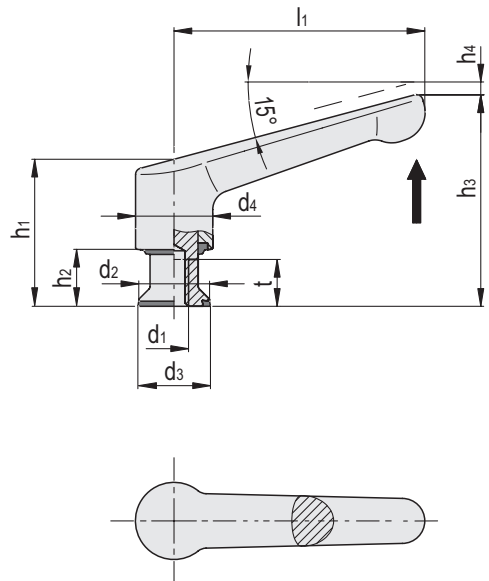
The quality of the finish of the stainless steel parts (mirror polishing) prevents adhesion of dirt and facilitates cleaning.

GN 305 adjustable handles are particularly suitable when the angle of manoeuvre of the levers is limited for reasons of space.

See Hygienic Design technical data (on page -).

INSTRUCTIONS OF USE

To adjust while tightening, lift the lever to disengage the teeth of the clamping element and return it to the starting position. When the lever is released, the return spring automatically engages the teeth.



GN 305-PL-H (d1)

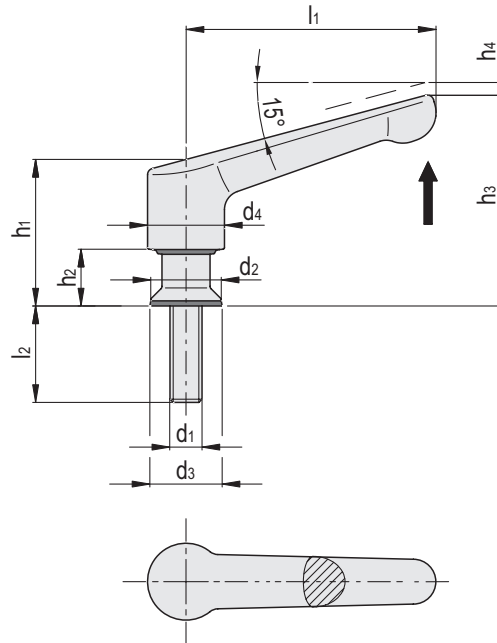


Code	Description	d1	l1	d2	d3	d4	h1	h2	h3	h4	tmin	⚖
GN.13621	GN 305-63-M6-PL-H	M 6	63	14	14.8	19	43.8	16.3	60.1	2.5	10	104
GN.13641	GN 305-63-M8-PL-H	M 8	63	18	18.8	19	45.8	18.3	62.1	2.5	12	108
GN.13661	GN 305-78-M8-PL-H	M 8	78	18	18.8	24	49.3	16.5	69.3	3	12	194
GN.13681	GN 305-78-M10-PL-H	M 10	78	22	22.8	24	51.3	18.5	71.3	3	15	189

GN 305-PL-E (d1)

Code	Description	d1	l1	d2	d3	d4	h1	h2	h3	h4	tmin	⚖
GN.13620	GN 305-63-M6-PL-E	M 6	63	14	14.8	19	43.8	16.3	60.1	2.5	10	105
GN.13640	GN 305-63-M8-PL-E	M 8	63	18	18.8	19	45.8	18.3	62.1	2.5	12	107
GN.13660	GN 305-78-M8-PL-E	M 8	78	18	18.8	24	49.3	16.5	69.3	3	12	189
GN.13680	GN 305-78-M10-PL-E	M 10	78	22	22.8	24	51.3	18.5	71.3	3	15	191

Clamping handles



GN 305-PL-H (d1 - I2)

INOX STAINLESS STEEL

Code	Description	d1	l1	d2	d3	d4	h1	h2	h3	h4	I2	△
GN.13623	GN 305-63-M6-12-PL-H	M 6	63	14	14.8	19	43.8	16.3	60.1	2.5	12	106
GN.13625	GN 305-63-M6-16-PL-H	M 6	63	14	14.8	19	43.8	16.3	60.1	2.5	16	107
GN.13627	GN 305-63-M6-20-PL-H	M 6	63	14	14.8	19	43.8	16.3	60.1	2.5	20	108
GN.13629	GN 305-63-M6-25-PL-H	M 6	63	14	14.8	19	43.8	16.3	60.1	2.5	25	110
GN.13631	GN 305-63-M6-32-PL-H	M 6	63	14	14.8	19	43.8	16.3	60.1	2.5	32	113
GN.13643	GN 305-63-M8-12-PL-H	M 8	63	18	18.8	19	45.8	18.3	62.1	2.5	12	113
GN.13645	GN 305-63-M8-16-PL-H	M 8	63	18	18.8	19	45.8	18.3	62.1	2.5	16	112
GN.13647	GN 305-63-M8-20-PL-H	M 8	63	18	18.8	19	45.8	18.3	62.1	2.5	20	115
GN.13649	GN 305-63-M8-25-PL-H	M 8	63	18	18.8	19	45.8	18.3	62.1	2.5	25	118
GN.13651	GN 305-63-M8-32-PL-H	M 8	63	18	18.8	19	45.8	18.3	62.1	2.5	32	120
GN.13663	GN 305-78-M8-12-PL-H	M 8	78	18	18.8	24	49.3	16.5	69.3	3	12	193
GN.13665	GN 305-78-M8-16-PL-H	M 8	78	18	18.8	24	49.3	16.5	69.3	3	16	199
GN.13667	GN 305-78-M8-20-PL-H	M 8	78	18	18.8	24	49.3	16.5	69.3	3	20	198
GN.13669	GN 305-78-M8-25-PL-H	M 8	78	18	18.8	24	49.3	16.5	69.3	3	25	205
GN.13671	GN 305-78-M8-32-PL-H	M 8	78	18	18.8	24	49.3	16.5	69.3	3	32	202
GN.13683	GN 305-78-M10-16-PL-H	M 10	78	22	22.8	24	51.3	18.5	71.3	3	16	198
GN.13685	GN 305-78-M10-20-PL-H	M 10	78	22	22.8	24	51.3	18.5	71.3	3	20	203
GN.13687	GN 305-78-M10-25-PL-H	M 10	78	22	22.8	24	51.3	18.5	71.3	3	25	205
GN.13689	GN 305-78-M10-32-PL-H	M 10	78	22	22.8	24	51.3	18.5	71.3	3	32	207

GN 305-PL-E (d1 - I2)

Code	Description	d1	l1	d2	d3	d4	h1	h2	h3	h4	I2	△
GN.13622	GN 305-63-M6-12-PL-E	M 6	63	14	14.8	19	43.8	16.3	60.1	2.5	12	110
GN.13624	GN 305-63-M6-16-PL-E	M 6	63	14	14.8	19	43.8	16.3	60.1	2.5	16	110
GN.13626	GN 305-63-M6-20-PL-E	M 6	63	14	14.8	19	43.8	16.3	60.1	2.5	20	110
GN.13628	GN 305-63-M6-25-PL-E	M 6	63	14	14.8	19	43.8	16.3	60.1	2.5	25	110
GN.13630	GN 305-63-M6-32-PL-E	M 6	63	14	14.8	19	43.8	16.3	60.1	2.5	32	110
GN.13642	GN 305-63-M8-12-PL-E	M 8	63	18	18.8	19	45.8	18.3	62.1	2.5	12	118
GN.13644	GN 305-63-M8-16-PL-E	M 8	63	18	18.8	19	45.8	18.3	62.1	2.5	16	118
GN.13646	GN 305-63-M8-20-PL-E	M 8	63	18	18.8	19	45.8	18.3	62.1	2.5	20	118
GN.13648	GN 305-63-M8-25-PL-E	M 8	63	18	18.8	19	45.8	18.3	62.1	2.5	25	118
GN.13650	GN 305-63-M8-32-PL-E	M 8	63	18	18.8	19	45.8	18.3	62.1	2.5	32	120
GN.13662	GN 305-78-M8-12-PL-E	M 8	78	18	18.8	24	49.3	16.5	69.3	3	12	199
GN.13664	GN 305-78-M8-16-PL-E	M 8	78	18	18.8	24	49.3	16.5	69.3	3	16	199
GN.13666	GN 305-78-M8-20-PL-E	M 8	78	18	18.8	24	49.3	16.5	69.3	3	20	199
GN.13668	GN 305-78-M8-25-PL-E	M 8	78	18	18.8	24	49.3	16.5	69.3	3	25	199
GN.13670	GN 305-78-M8-32-PL-E	M 8	78	18	18.8	24	49.3	16.5	69.3	3	32	199
GN.13682	GN 305-78-M10-16-PL-E	M 10	78	22	22.8	24	51.3	18.5	71.3	3	16	212
GN.13684	GN 305-78-M10-20-PL-E	M 10	78	22	22.8	24	51.3	18.5	71.3	3	20	101
GN.13686	GN 305-78-M10-25-PL-E	M 10	78	22	22.8	24	51.3	18.5	71.3	3	25	212
GN.13688	GN 305-78-M10-32-PL-E	M 10	78	22	22.8	24	51.3	18.5	71.3	3	32	212

